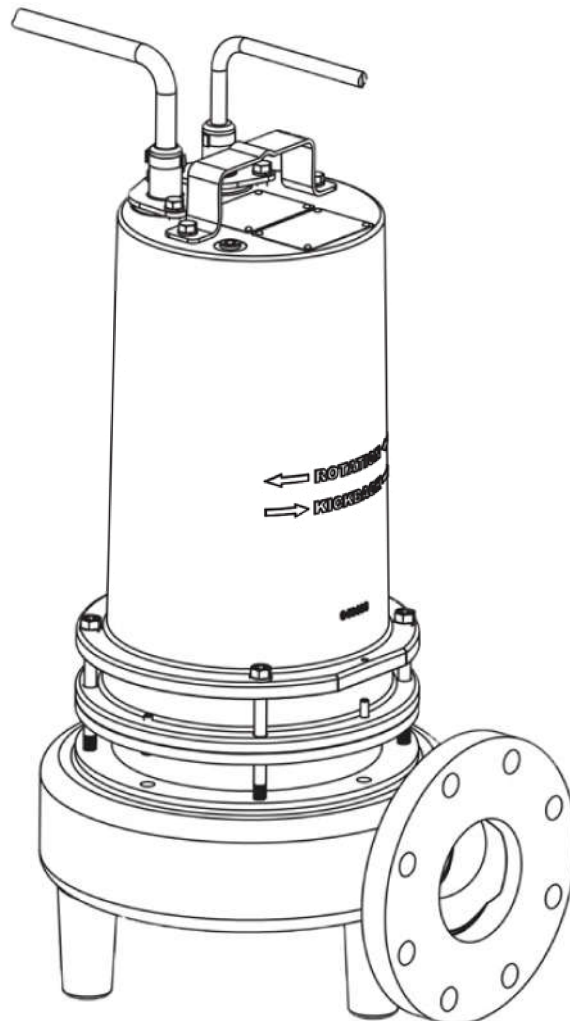


4SEV-DS – 2.8 HP

3" Spherical Solids Handling - Vortex

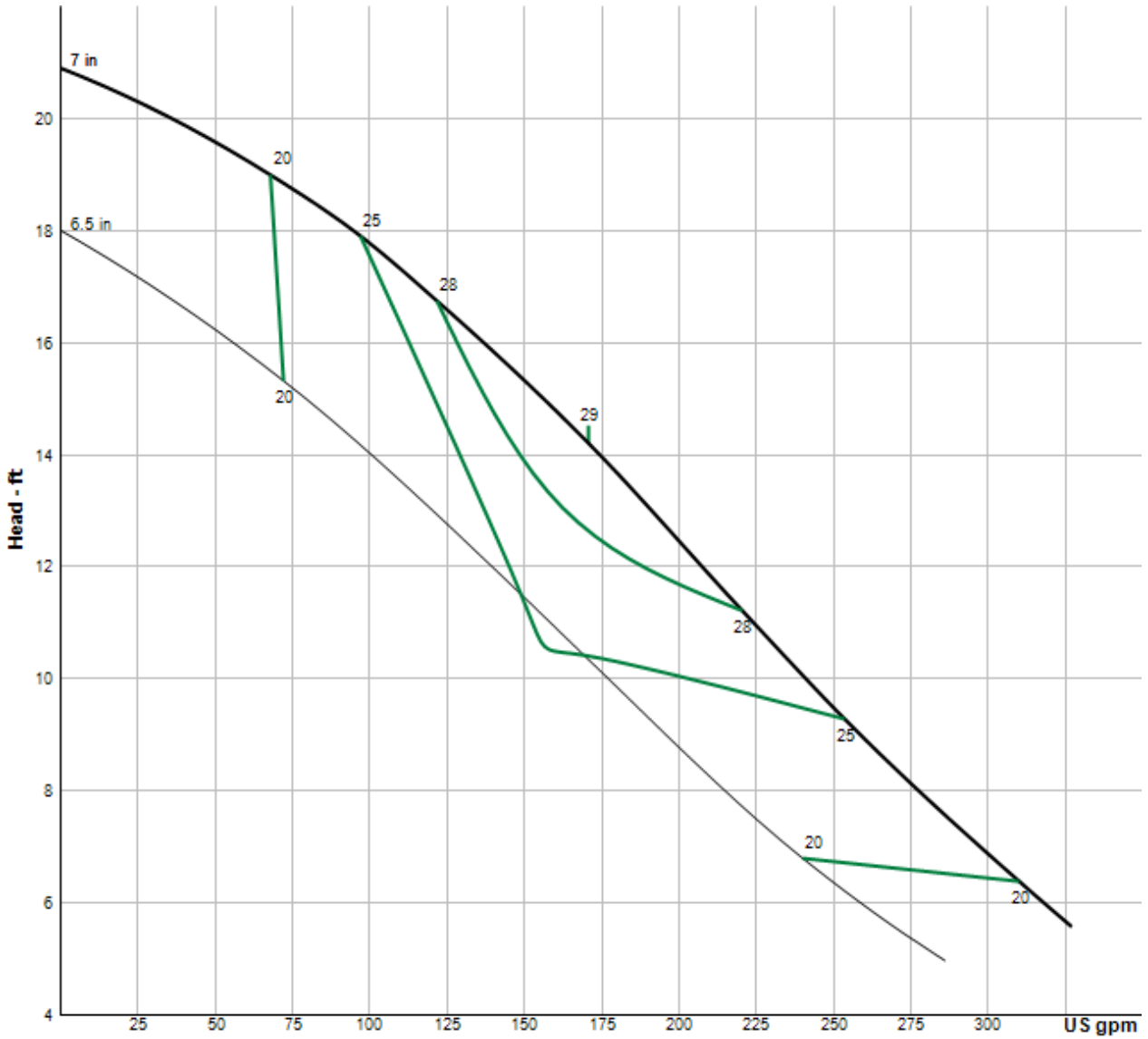


Specifications

DISCHARGE:	4" 125lb., Horizontal flange
SPEED:	1150 OR 1750 RPM
IMPELLER:	<ul style="list-style-type: none"> • Design: Vortex, 8 vane with pump out vanes on back side, Dynamically balanced, ISO G6.3 • Material: Cast iron ASTM A-48, class 30
CORD ENTRY:	.30 ft. (9.1 m) Cord. Quick connect custom molded for sealing and strain relief
MOTOR:	<ul style="list-style-type: none"> • Design: NEMA L- single phase, NEMA B - three phase torque curve, oil filled, squirrel cage induction • Winding: Class B, class H rated magnet wire, class F on selected models • Service Factor: 1.15
SEAL:	<ul style="list-style-type: none"> • Design: Double mechanical, oil filled pressure equalized reservoir • Material: Carbon/Ceramic/Buna-N
LIQUID TEMPERATURE:	104°F (40°C) Continuous
VOLUTE:	Cast iron ASTM A-48, class 30
MOTOR HOUSING	Cast iron ASTM A-48, class 30
SEAL PLATE:	Cast iron ASTM A-48, class 30
SHAFT:	416 Stainless steel
SQUARE RINGS:	Buna-N
HARDWARE:	300 Series stainless steel
PAINT:	Air dry enamel (epoxy optional)
UPPER BEARING:	<p>Upper Bearing:</p> <ul style="list-style-type: none"> • Design: Single row, ball, oil lubricated • Load: Radial <p>Lower Bearing:</p> <ul style="list-style-type: none"> • Design: Single row, ball, oil lubricated • Load: Radial
DIAPHRAGM	Buna-N
SINGLE PHASE:	Permanent split capacitor (PSC) includes overload protection in motor
THREE PHASE:	200-230/460 is Tri Voltage motor. 575. Requires overload protection to be included in control panel, VFD suitable
MOISTURE SENSOR	Normally open (N/O), requires relay in control panel
TEMPERATURE SENSOR:	Normally Closed (N/C), Requires relay in control panel. For three phase units ONLY

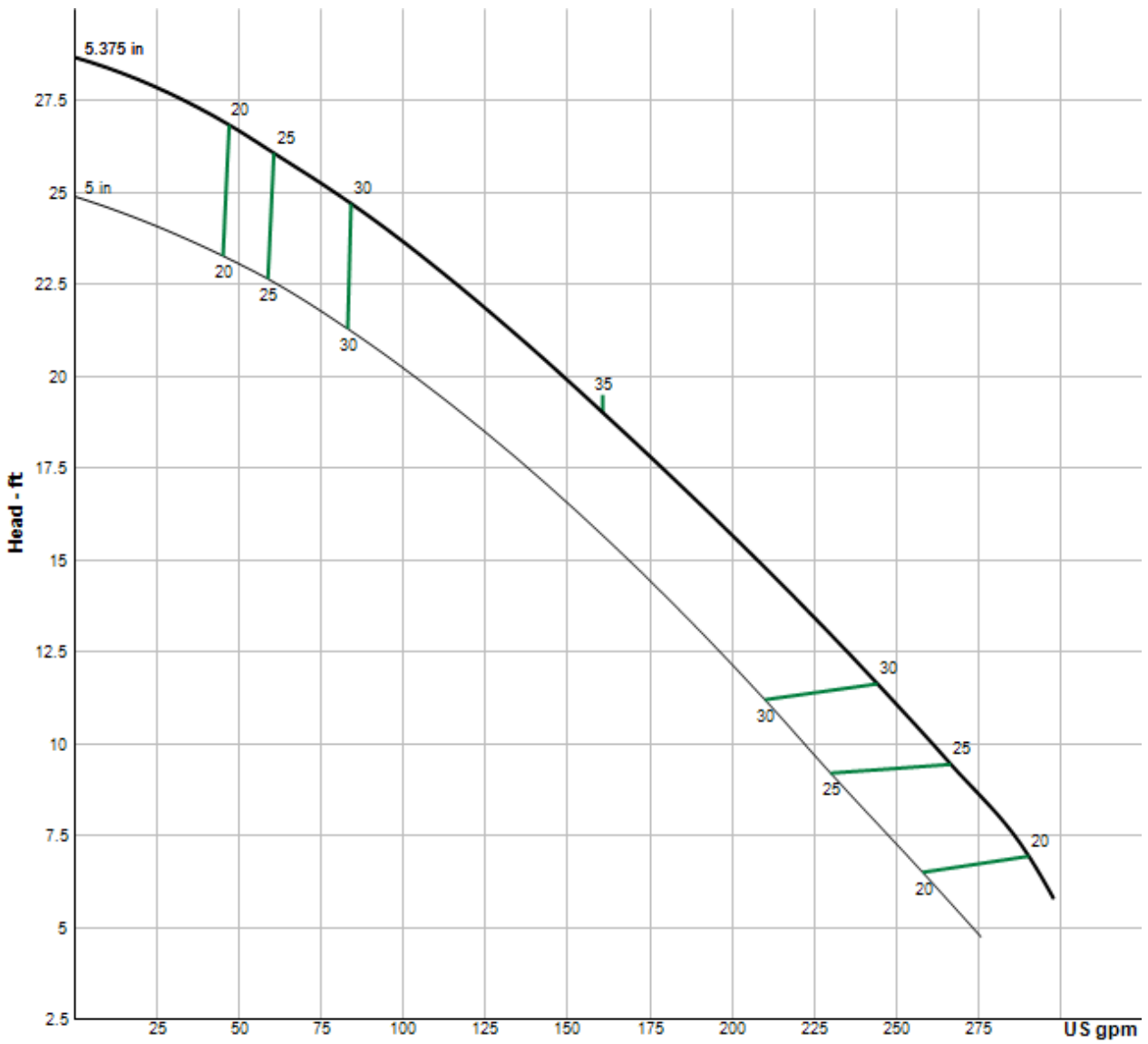
Curves

1150 RPM



Pump HP	Impeller Dia in. (mm)
2.8	7.00 (178)

1750 RPM

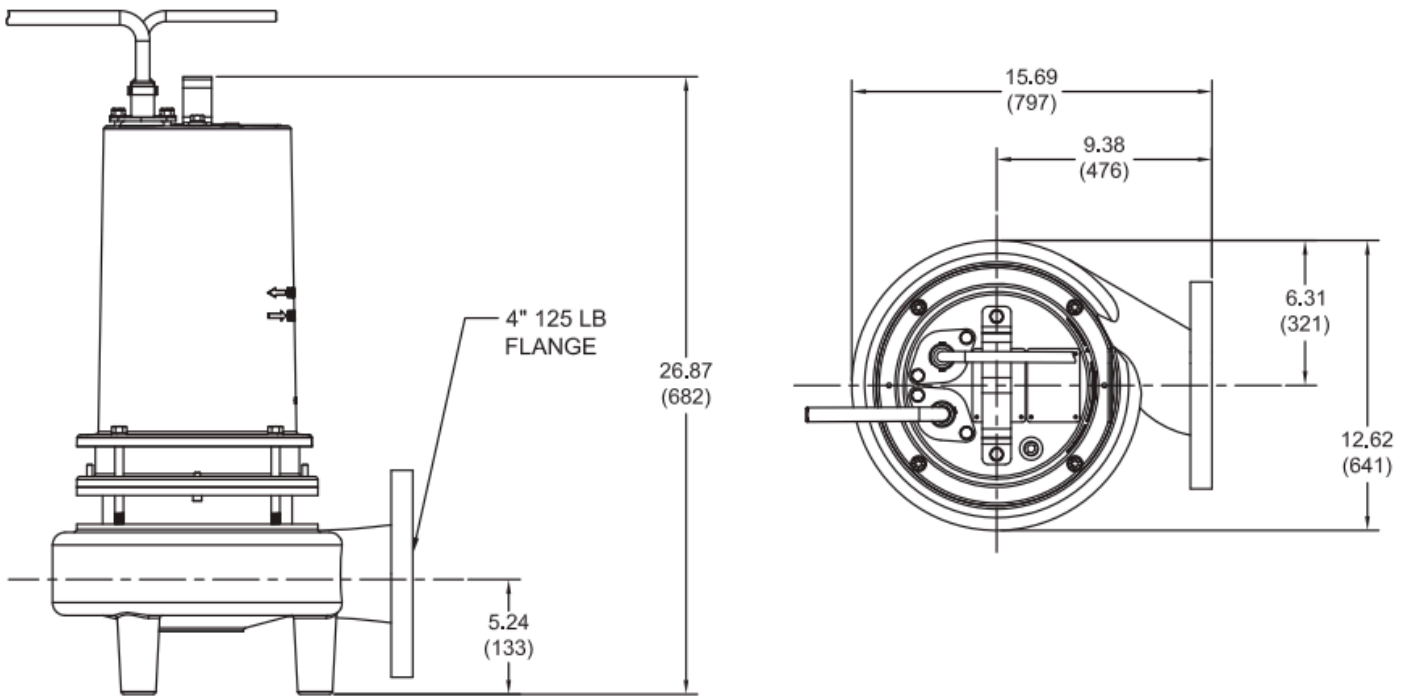



Pump HP	Impeller Dia in. (mm)
2.8	5.385 (137)
3.7	6.00 (152)
5.0	7.13 (181)

Model Information

PUMP MODEL NUMBER	4SEV2826DS	4SEV2896DS	4SEV2846DS	4SEV2856DS	4SEV2824DS	4SEV2894DS	4SEV2844DS	4SEV2854DS
PART NUMBER	142105	142106	142107	142108	140214	140215	140216	140217
HP	2.8	2.8	2.8	2.8	2.8	2.8	2.8	2.8
VOLTAGE/PHASE	230/1	200-230/3	460/3	575/3	230/1	200-230/3	460/3	575/3
HZ	60	60	60	60	60	60	60	60
RPM (NOMINAL)	1150	1150	1150	1150	1750	1750	1750	1750
NEMA START CODE	A	F/H	H	H	A	D/G	F	F
INSULATION CLASS	B	B	B	B	B	B	B	B
FULL LOAD AMPS	13.5	9.2/8.4	4.2	3.4	12.6	9.2/8.0	4	3.2
LOCKED ROTOR AMPS	31	38.2/44.0	22	17.6	23	35.9/42.7	18	14.4
CORD SIZE	12/3	14/4	14/4	14/4	12/3	12/4	14/4	14/4
CORD TYPE	SOOW/SOW	SOOW/SOW	SOOW/SOW	SOOW/SOW	SOOW/SOW	SOOW/SOW	SOOW/SOW	SOOW/SOW
CORD O.D INCH (MM)	.61 (15.5)	.57 (14.5)	.57 (14.5)	.57 (14.5)	.61 (15.5)	.68 (17.4)	.57 (14.5)	.57 (14.5)

Drawing



 All dimensions are in inches (mm)